

Basic structure

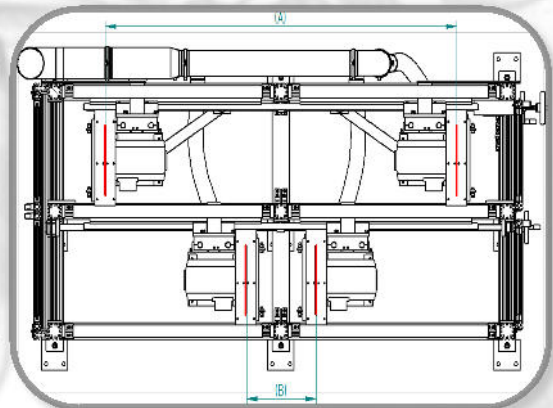
- Basic frame featuring aluminium profile design.
- Hardened round guides designed featuring ball screw linear bearings.
- Lateral access doors to the saw units.

Mechanical structure

- Depending on the design, the edge trimming saw may be equipped with between 2 and 5 saw units. Depending on the number, the units are arranged partially beside each other and partially behind each other (in the extrusion direction). Accordingly, this results in the machine's total length.
- The saw motors are designed as flat motors in various power levels.
- Saw guards designed for high chip extraction underneath and extraction boxes above the product track. The top suction boxes are lowered vertically onto the product track when a saw unit is activated.
- Saw unit transverse movement via trapezoidal threaded spindles and hand wheels.
- Support adjustment for common adjustment of external saw units.

Electrical technology

- Control field functions:
 - Activation/deactivation of individual saw units.
 - Settings for all machine-relevant and production-relevant parameters (e.g.: saw blade speeds).
 - Hand control functions for checking the machine functions after repair and maintenance work.
 - Monitoring of saw motor power consumption to determine the condition of the saw blades.



Technical data:

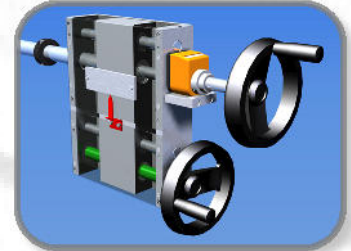
	RBU/RB2 1600	RBU/RB2 2000	RBU/RB2 2500	RBU/RB2 3000
Working width (max./min) (A/B)	1800/800 mm	2200/800 mm	2700/800 mm	3200/800 mm
Throughput width	2100 mm	2500 mm	3000 mm	3500 mm
Max. saw blade diameter	420 mm			
Number of saw units possible	RBU: 2; RB2: 4	RBU: 3; RB2: 5	RBU: 3; RB2: 5	RBU: 3; RB2: 5

Equipment / options / additional equipment:

The following is a selection of different options/additional equipment for this machine:

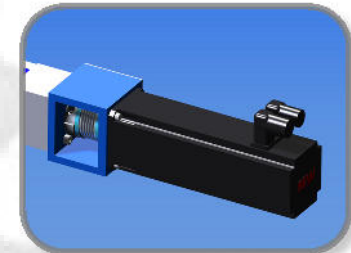
Separate transverse offset

Normally, the exterior saw units of an edge trimming saw are offset via a right/left spindle and a shared support offset perpendicular to the extrusion direction. Centre cutting saw units for additional segmentation of the extrudate are each positioned by their own actuator spindles. **Optionally**, saw units may also be designed to feature separate offsetting.



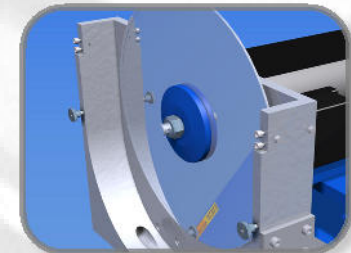
Transverse offset via actuator drives (option)

Upon request, the saw units offset may be executed perpendicular to the extrusion direction completely using actuator drives. The position input for the respective working positions of the units is then entered via the control panel of the machine. In this case, the support offset may be implemented via the software.



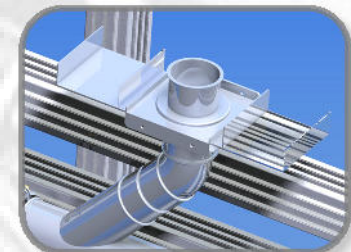
Quick-change system for saw blade

In the standard version, the flanges for clamping the saw blade are fastened via a regular hexagonal nut on the motor shaft. **Optionally**, a special version of the saw motors with a quick-clamping system for the saw flanges may be used. With this variation, a saw blade may be changed quickly and with minimal force and tool involvement.



Blocking slide for suction connections (option)

The suction connections for the saw guard and the upper extractor hood may be equipped with blocking slides upon request. These slides may be designed to be activated manually, pneumatically, or electro-mechanically. In this way, if a saw unit is not used, the connected extractor system may be relieved.



Saw blade extension height setting

The standard setting for the saw blade extension height is adjusted manually or via an adjustable end stop for the motor support featuring the actual saw motor. **Optionally**, the adjustment may also be made via an actuating drive. The extension height may be changed comfortably on the control panel without influencing the production process.

The actual movement for lifting and lowering the motor support is adjusted pneumatically for both versions.

Edge trimming milling machine in place of edge trimming saw

The longitudinal cutting unit is also available as an edge trimming mill. In this case the cut is completed by a special milling motor and an end mill instead of using a saw blade. This enables improved surface quality to be achieved and materials that may be problematic for regular saw blades (e.g.: fibre-glass-enhanced plastic) to be cut with increased tool life.

The mechanical layout of the edge trimming mill is similar to the edge trimming saw.

